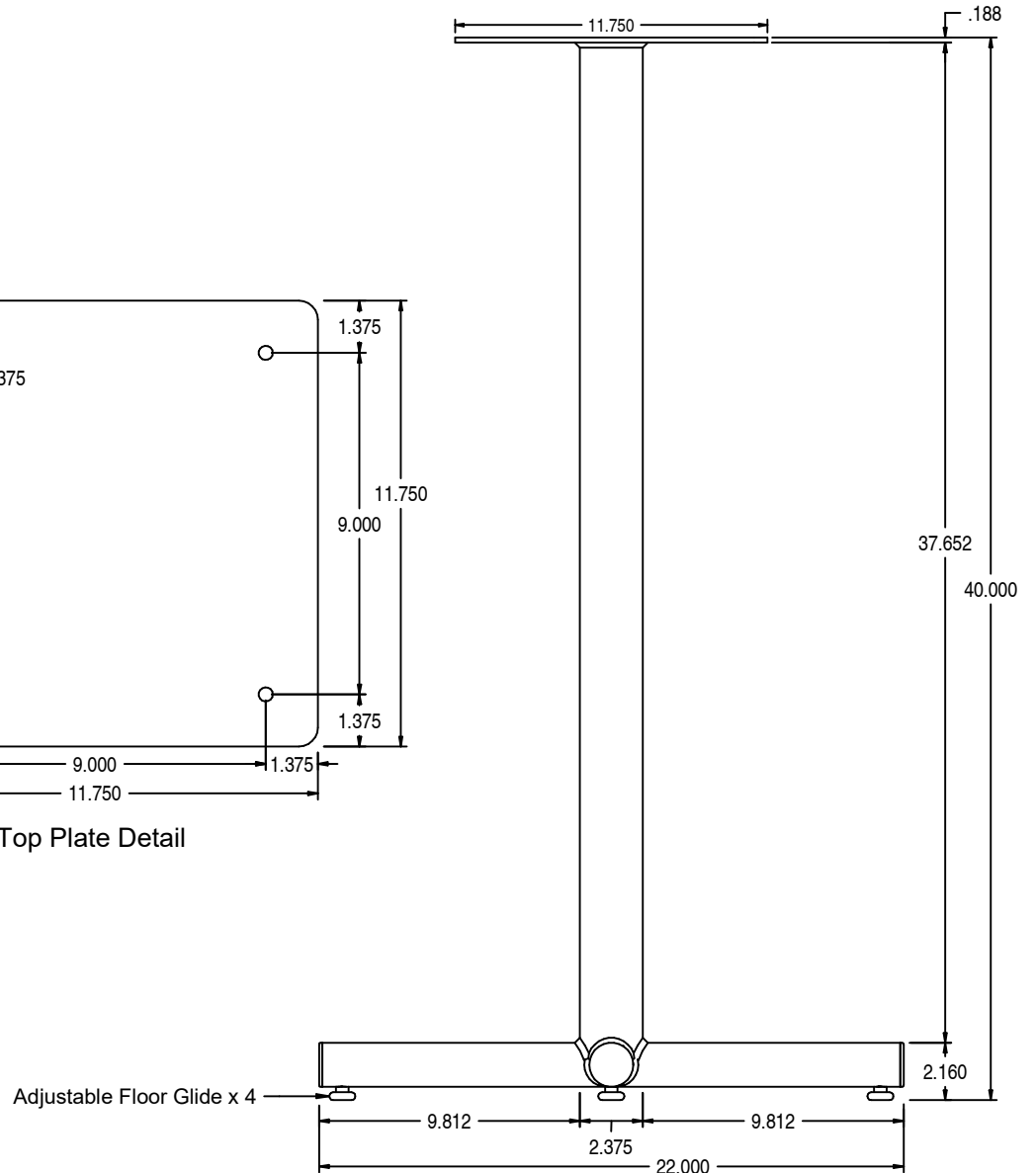


Top Plate Detail



Front View

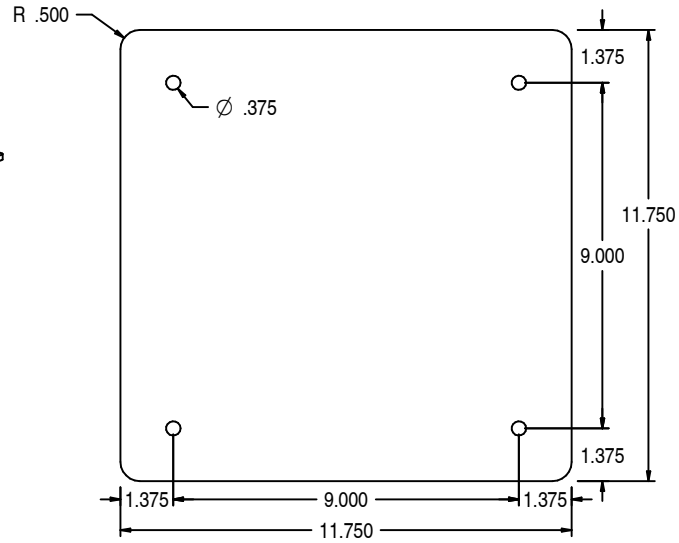
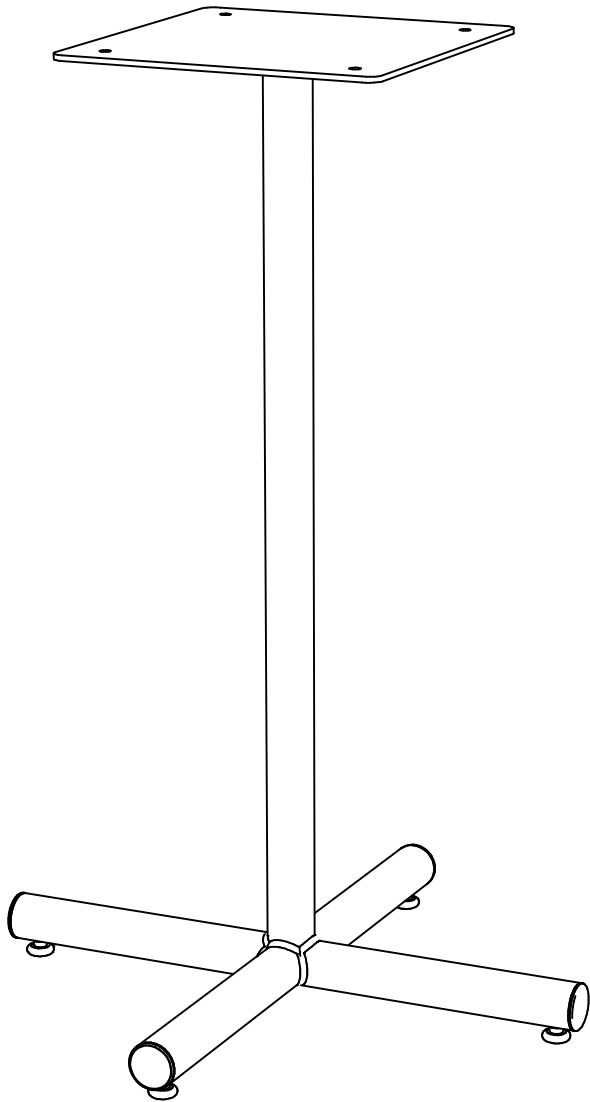
**CROW WORKS** EST. 1995

**22" WELDED X-BASE 40" H**

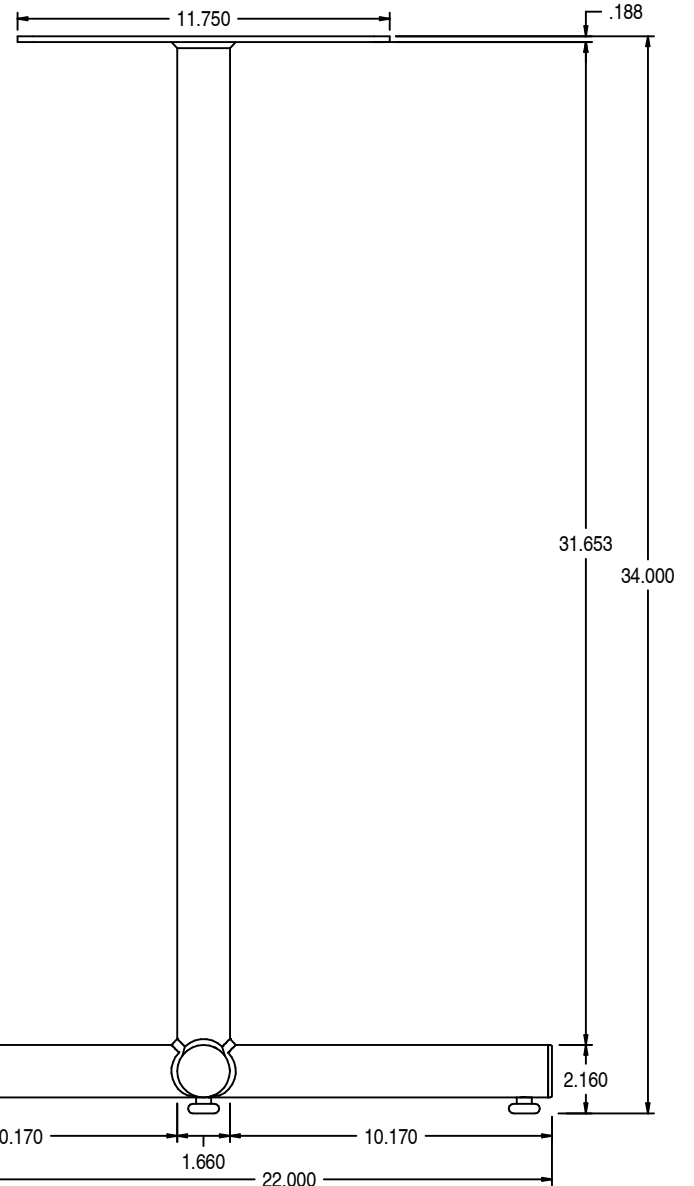
179 Straits Lane, Killbuck Ohio 44637 | 1.888.811.CROW | holler@crowworks.com

N.T.S.

**Approx. Weight**  
**26 lbs**



Top Plate Detail



Front View

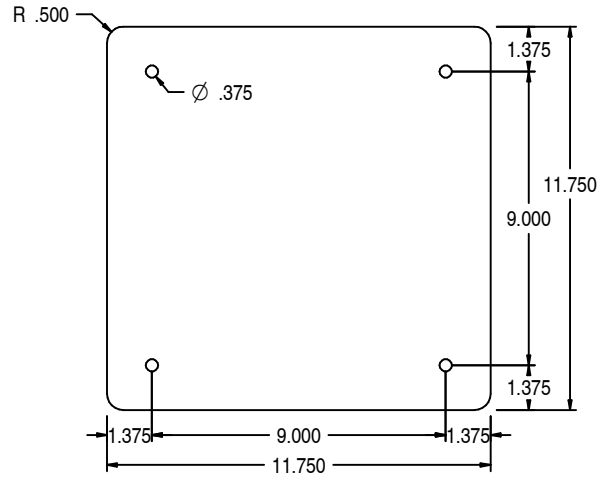
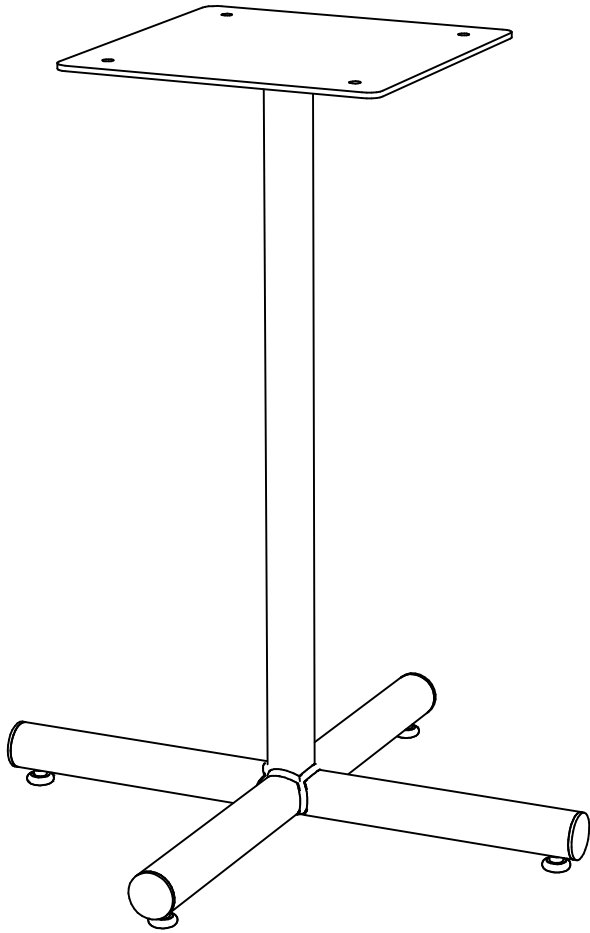
**CROW WORKS** EST. 1995

**22" WELDED X-BASE 34"H**

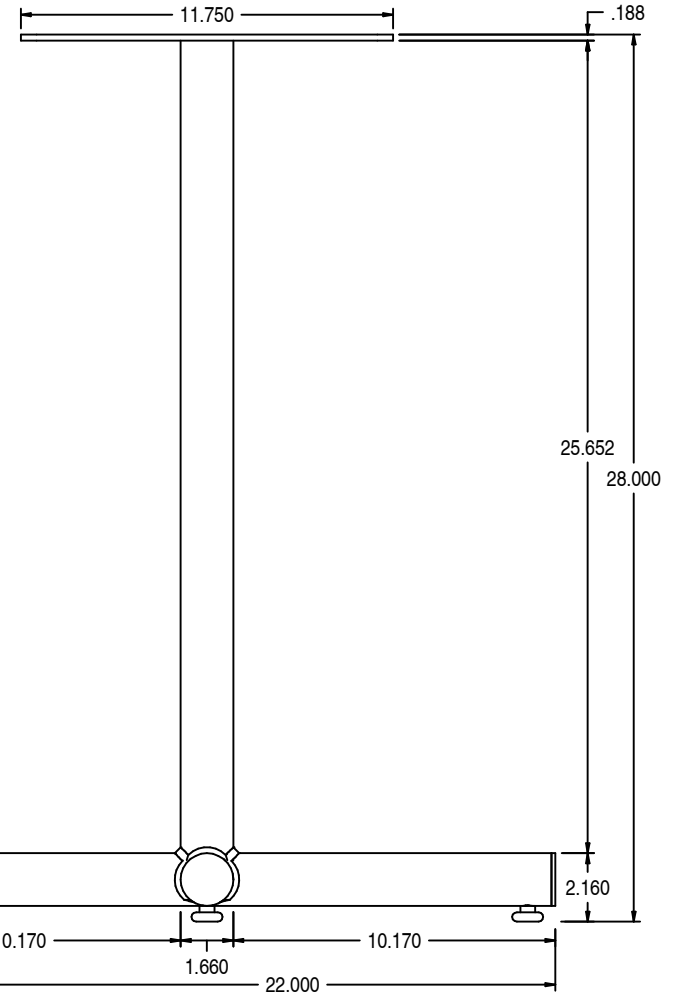
179 Straits Lane, Killbuck Ohio 44637 | 1.888.811.CROW | holler@crowworks.com

N.T.S.

Approx. Weight  
19 lbs



Top Plate Detail



Front View

Adjustable Floor Glide x 4

**CROW WORKS** EST. 1995

**22" WELDED X-BASE 28" H**

179 Straits Lane, Killbuck Ohio 44637 | 1.888.811.CROW | holler@crowworks.com

N.T.S.

**Approx. Weight**  
**15 lbs**